

KI3214

Washed cotton shopper bag with side pocket

100% cotton. Large bag with wide base and gusset in faded cotton, for a vintage look. Faded products are unique and may feature slight variations in colour. Handles in the same material as the body of the bag. Decorative safety rivets between the handles and the body of the bag. Large zipped inside pocket for keys and phone. Outside pocket for easy customisation. Press stud fastening.



Certifications



More information

Logistic



Country of origin



IN - India

Customs code



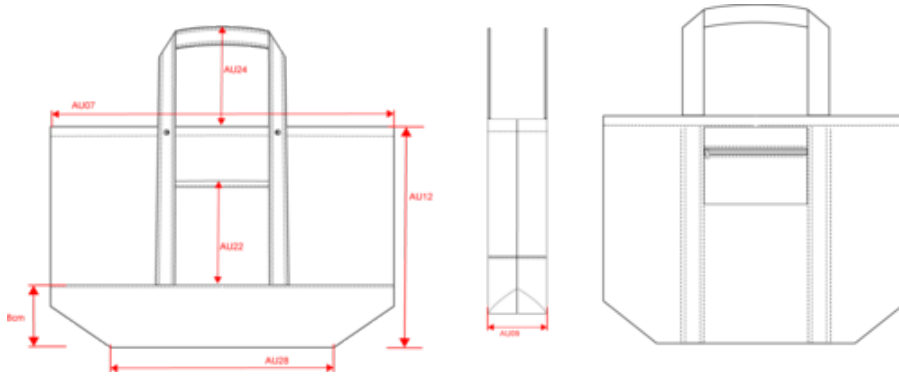
42029298



KI3214

Washed cotton shopper bag with side pocket

Dimensions (cm)



Measurements in cm	One Size
AU09 - Depth of bottom part	10.00
AU12 - Total height	35.00
AU28 - Bottom width	37.00



KI3214

Washed cotton shopper bag with side pocket

Colours information



Washed Black

RVB : 43,39,42
Pantone C : Neutral Black
Pantone TCX : 19-4008TCX



Washed Cinnamon

RVB : 153,110,73
Pantone C : 7574C
Pantone TCX : 17-1044TCX



Washed Green Clay

RVB : 141,146,132
Pantone C : 4220C
Pantone TCX : 17-6206TCX



Washed Ivory

RVB : 243,232,220
Pantone C : 7534C
Pantone TCX : 11-4202TCX



Washed Navy

RVB : 46,54,68
Pantone C : 432C
Pantone TCX : 19-4022TCX



Washed Russet

RVB : 103,50,40
Pantone C : 175C
Pantone TCX : 19-1435TCX

Logistic



1



40

Sizes	Width (cm)	Height (cm)	Length (cm)	Net weight (kg)	Gross weight (kg)	Pieces/Box	Pieces/Bundle
One Size	37.00	15.00	50.00	11.36	12.14	40	1